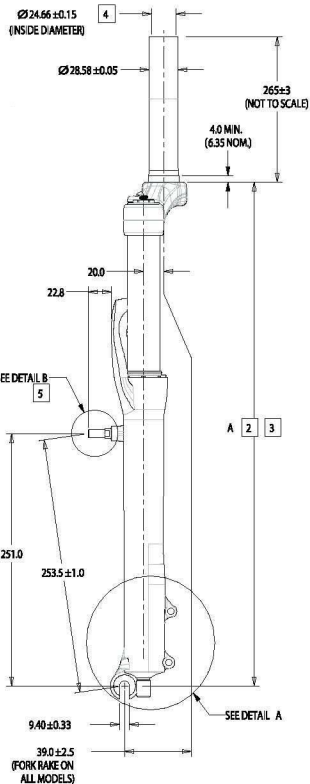
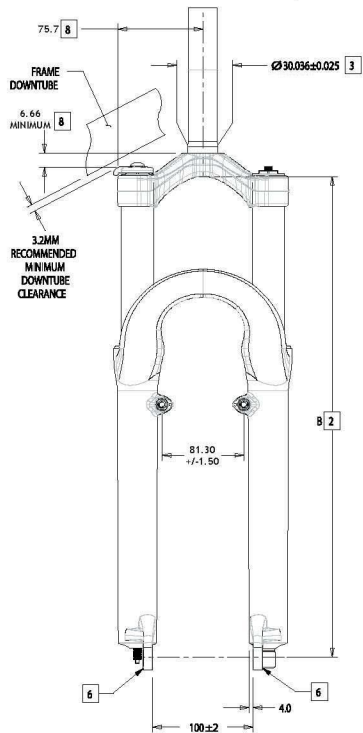
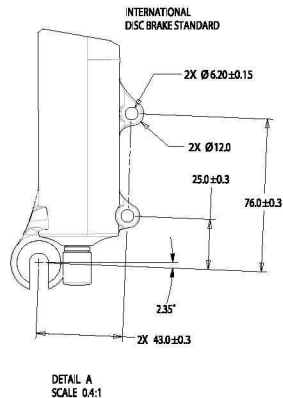
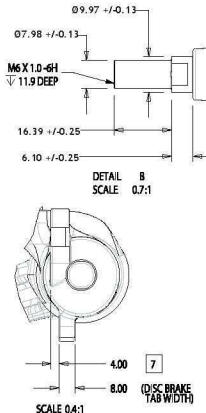


PROPRIETARY
THIS DOCUMENT CONTAINS CONFIDENTIAL, PROPRIETARY INFORMATION
THAT IS FOR RACING SHOX PROPRITY. DO NOT DISCLOSE TO OR
DUPLICATE FOR OTHERS EXCEPT AS AUTHORIZED BY FOX RACING SHOX.



NOTES: UNLESS OTHERWISE SPECIFIED)

- 1 DRAWING NOT TO SCALE. FOX RACING SHOX RESERVES THE RIGHT TO CHANGE SPECIFICATIONS WITHOUT PRIOR NOTICE.
- 2 DIMENSIONS IN PARENTHESES ARE WITH FORK FULLY COMPRESSED. DIMENSIONS FOR ALL AIR FORK MODELS ARE BASED ON MEDIUM RIDER WEIGHT AIR PRESSURE SETTING.
- 3 INSIDE DIAMETER OF HEADSET CUP MUST NOT BE LESS THAN DIAMETER "D" + 0.30MM.
- 4 INSIDE DIAMETER OF STEERER IS COMMON FOR ALL FOX FORK EXCEPT FOR FLOAT AND "F" SERIES MODELS WHICH IS Ø24.99±0.15.
- 5 CANT LEVER BRAKE POST MOUNT IS STANDARD WITH ONE SPRING MOUNT HOLE. POST IS PERPENDICULAR TO FORK TUBE WITH 0.25MM.
- 6 FRONT QUICK RELEASE/AXLE RETENTION FEATURE IS BUILT IN EPSIC STYLE.
- 7 DIMENSION IS FROM INSIDE OF AXLE DROPOUT FACE TO INSIDE OF DISC BRAKE MOUNT TABS.
- 8 DIMENSIONS SHOWN ARE TO THE TALLEST KNOB IN THE HIGHEST POSITION ON AN RLC MODEL. ALL OTHER MODELS HAVE INCREASED DOWNTUBE CLEARANCE.
- 9 INDIVIDUAL TIRES MUST MEASURED WITH FORK FULLY COMPRESSED AND HAVE A MINIMUM OF 5.0MM "TIRE TO CROWN" CLEARANCE.
- 10 FORK IS DESIGNED TO USE 160-205 MM INSIDE DIAMETER DISC ROTORS. DISC CALIPER MOUNTING BOLT PATTERN IS MADE TO THE INTERNATIONAL XC DISC BRAKE STANDARD.
- 11 FOX FORK ARE NOT TO BE USED ON A TANDEM BICYCLE.



B

B

A

A

	ALL F80 80mm FORKS	ALL F100 & Vanilla 100mm FORKS	All Vanilla, TALAS & Float 130mm FORKS
A ±5.0MM	450.9 (370.9)	470.9 (370.9)	500.9 (370.9)
B ±5.0MM	427.7 (347.7)	447.7 (347.7)	477.7 (347.7)
TIRE SIZE LIMIT 9	26 X 2.40	26 X 2.40	26 X 2.40

ITEM NO.	QTY.	PART NUMBER	DESCRIPTION	MATERIAL SPEC.
UNLESS OTHERWISE SPECIFIED DIMENSIONS ARE IN MM.			PER ANSI Y14.5M 1994	
TOLERANCES ARE:			APPROVALS	DATE
DECIMALS		ANGLES	DWN BY B. BECKER	02DEC08
DOES NOT APPLY			CHE BY B. BECKER	07SEP04
THIRD ANGLE PROJECTION			ENGR B. BECKER	02DEC08
			MFG	
DO NOT SCALE DRAWING			ADD	
			SIZE A	PART NO.
			PLOT SCALE N/A	SHEET 1 OF 1



FOX Factory, Inc.

130 Hanger Way, Welton, CA 95076 Tel: 831-788-1100 Fax: 831-788-9512

2005 FOX 32 FORX
USER SPECIFICATION