

— PROPRIETARY —
 THIS DOCUMENT CONTAINS CONFIDENTIAL, PROPRIETARY INFORMATION
 THAT IS FOX RACING SHOX PROPERTY. DO NOT DISCLOSE TO OR
 DUPLICATE FOR OTHERS EXCEPT AS AUTHORIZED BY FOX RACING SHOX.

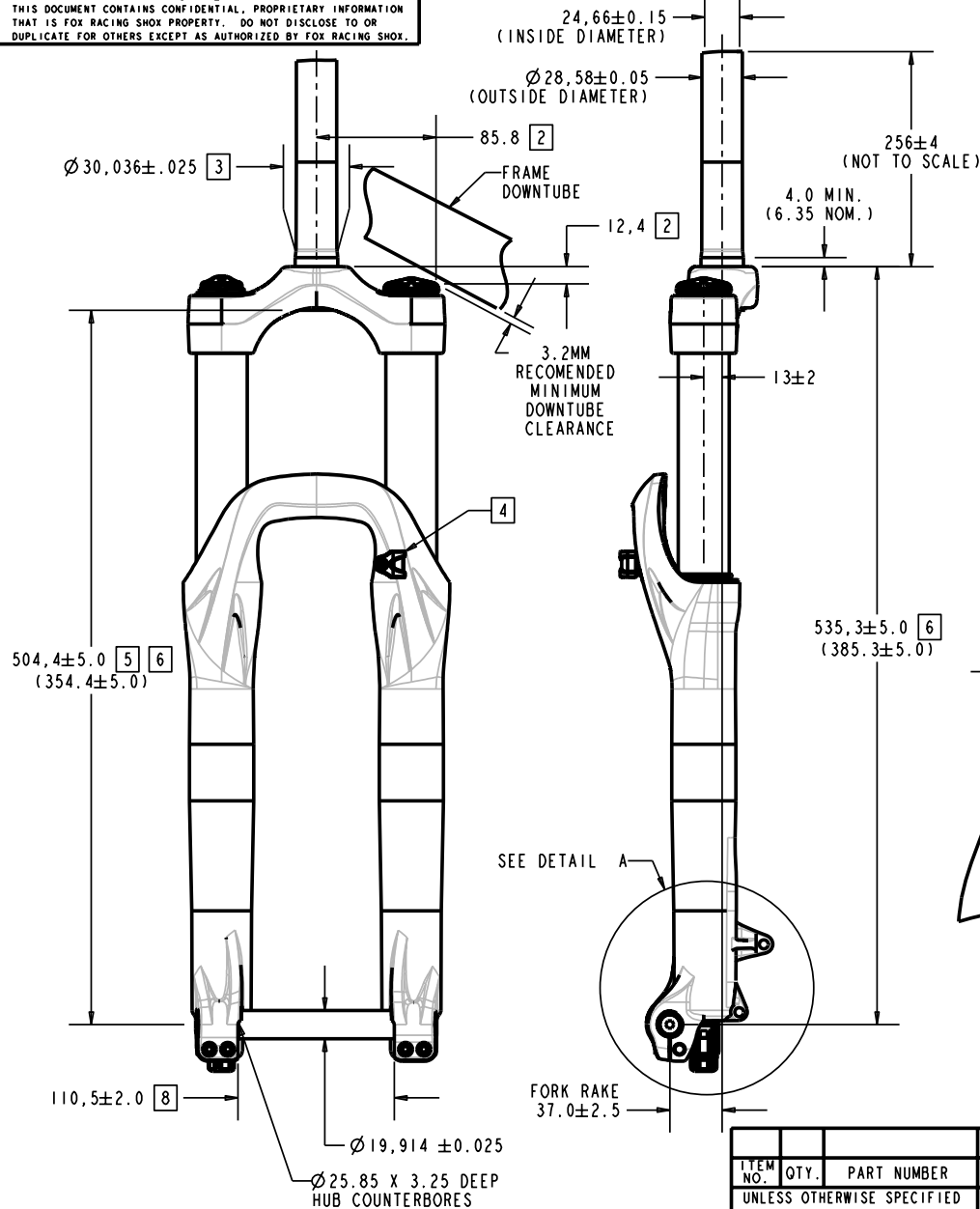
REVISIONS				
ZONE	REV	DESCRIPTION	DATE	APPROVED
	B	CORRECTED AXLE-TO-CROWN COMPRESSED DIMENSION	08SEP04	

B

B

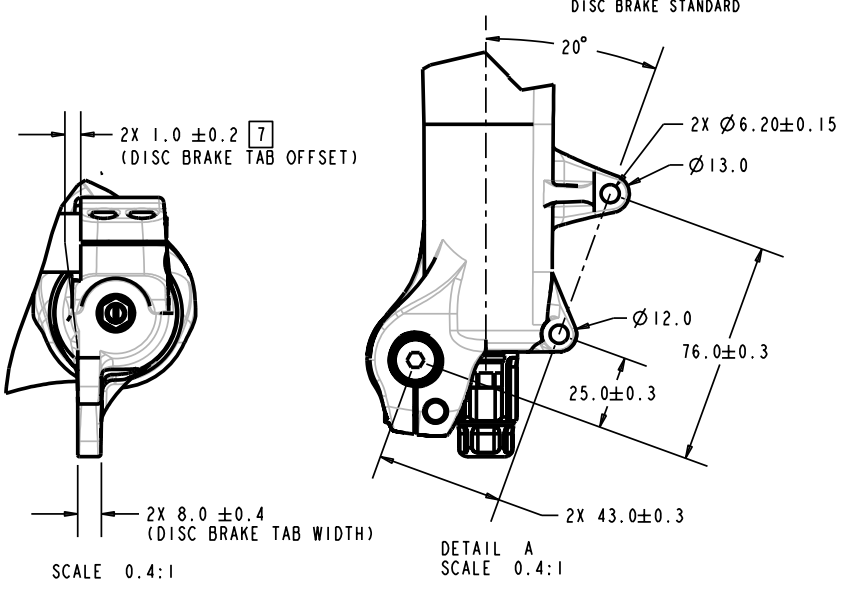
A

A



NOTES: (UNLESS OTHERWISE SPECIFIED)

- DRAWING NOT TO SCALE: FOX RACING SHOX RESERVES THE RIGHT TO CHANGE SPECIFICATIONS WITHOUT NOTICE.
- DIMENSIONS SHOWN ARE TO THE TALLEST KNOB IN THE HIGHEST POSITION FOR ALL 36 MODELS.
- INSIDE DIAMETER OF HEADSET CUP MUST NOT BE LESS THAN DIAMETER "D" + 0.30MM.
- DISC BRAKE HOSE/CABLE GUIDE AND FASTENER IS INCLUDED WITH FORK.
- TIRE SIZE LIMIT IS 26 X 2.80 INCH WIDE. ANY TIRE SIZE GREATER THAN 2.6 INCH WIDE MUST BE CHECKED WITH FORK FULLY COMPRESSED AND HAVE A MINIMUM OF 6.0 MM "TIRE TO CROWN" CLEARANCE.
- DIMENSIONS IN PARENTHESIS ARE WITH FORK FULLY COMPRESSED. DIMENSIONS FOR ALL AIR FORKS ARE BASED ON MEDIUM RIDER WEIGHT AIR PRESSURE SETTING.
- DIMENSION IS FROM INSIDE OF AXLE DROP OUT FACE TO INSIDE OF DISC BRAKE MOUNT TABS.
- FORK USES STANDARD 20MM ID x 110MM WIDE DH HUB. AXLE IS INCLUDED WITH FORK.
- FORK IS ONLY TO USE DISC BRAKES. FORK IS DESIGNED TO USE 160-205 MM DISC ROTORS. FORK CALIPER MOUNTING BOLT PATTERN IS MADE TO INTERNATIONAL XC DISC BRAKE STANDARD.
- FOX FORK ARE NOT TO BE USED ON ANY TANDEM BICYCLE.



ITEM NO.	QTY.	PART NUMBER	DESCRIPTION	MATERIAL SPEC
UNLESS OTHERWISE SPECIFIED DIMENSIONS ARE IN MM.				
TOLERANCES ARE: DECIMALS .X ± 0.25 ANGLES ± 1° .XX ± 0.13			PER ANSI Y14.5M 1994	
APPROVALS		DATE	FOX Factory, Inc. 130 Hangar Way, Watsonville, CA 94076 USA, Ph 831-768-1100, Fax 831-768-9312	
DWN. BY C. HUGHES		04AUG04	2005 FOX 36 FORX USER SPECIFICATION	
CHK. BY B. BECKER		07SEP04		
ENG. B. BECKER		02JUL04	SIZE A	PART NO.
MFG.				
ADD.				
DO NOT SCALE DRAWING			PLOT SCALED 0.04:1	SHEET 1 OF 1