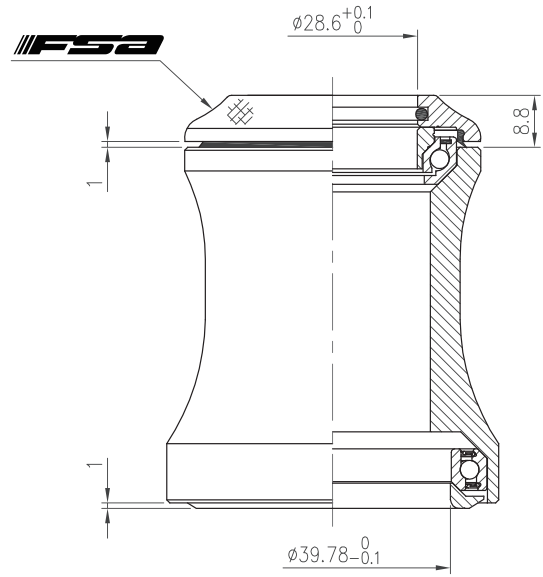
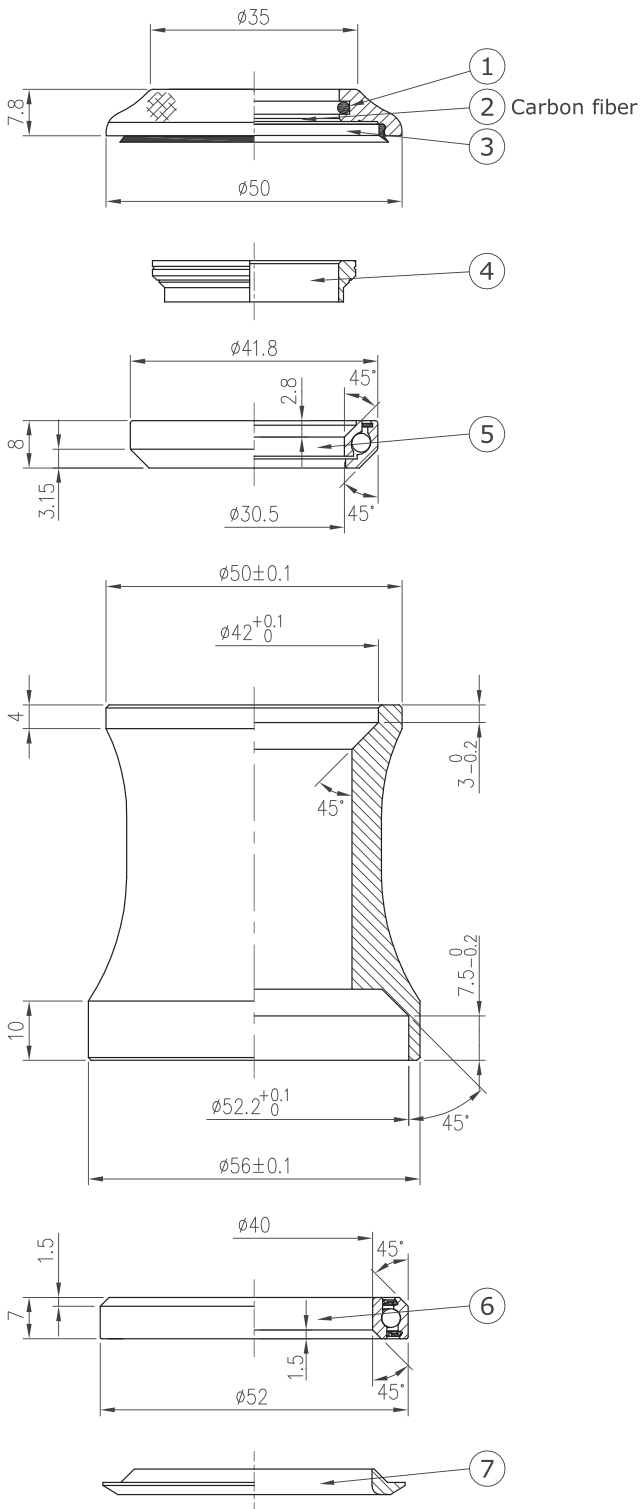


Internal Headset (CC)

NO.42/50CF/ACB

1-1/8" / 1.5", 45° / 45° ACB



Stack Height 8.8+1=9.8



Weight - 69.7 grams

- For tapered 50mm / 56mm OD head tube
- For 1-1/8" to 1.5" tapered fork
- Carbon fiber top cover
- Upper : Angular Contact Bearing(Black seal)
- Lower : 1.5" Angular Contact Bearing(Black seal)

No	Item No	Material	Qty
⑦	H6099 {NO.42/48CF/45ACB-6}	Alloy	1PCS
⑥	MR170 {070E-RS}	Chrome steel	1SET
⑤	MR121 {870E-RS}	Chrome steel	1SET
④	H2081A {NO.8-2}	Alloy	1PCS
③	MS100	Steel w/ rubber sealed	1PCS
②	H2343A	Carbon	1PCS
①	MS053 {872}	Rubber	1PCS

