



<p>FC-6600 FC-6603</p>	<p>Front chainwheel</p>
--	-------------------------

General Safety Information

⚠ WARNING

- Be careful not to let the cuffs of your clothes get caught in the chain while riding, otherwise you may fall off the bicycle.
- Check that the tension of the chain is correct and that the chain is not damaged. If the tension is too weak or the chain is damaged, the chain should be replaced. If this is not done, the chain may break and you may fall off the bicycle.
- Check that there are no cracks in the crank arms before riding the bicycle. If there are any cracks, the crank arm may break and you may fall off the bicycle.
- Obtain and read the service instructions carefully prior to installing the parts. Loose, worn, or damaged parts may cause injury to the rider. We strongly recommend only using genuine Shimano replacement parts.
- Read these Technical Service Instructions carefully, and keep them in a safe place for later reference.

Note

- Make sure that the chainring combination matches the front chainwheel tooth configuration in the Product specifications table. If other combinations are used, the distance between the chainrings will be incorrect and the chain might slip off and get caught in between them.
 - When the chain is in the position shown in the illustration, the chain may contact the front chainrings or front derailleur and generate noise. If the noise is a problem, shift the chain onto the next-larger rear sprocket or the one after.
- | | |
|------------------|--|
| Front chainrings | |
| Rear sprockets | |
- If the bottom bracket shell is not parallel, gear shifting performance will drop.
 - Check that there is no looseness in any joints or connections before riding the bicycle. (BB-FC, FC-PD)
 - If you feel any looseness in the bottom bracket axle, the bottom bracket should be replaced.
 - In addition, if pedaling performance does not feel normal, check this once more.
 - Do not wash the bottom bracket with high-pressure jets of water.
 - Apply grease to the bottom bracket before installing it.
 - To ensure the best performance, be sure to use only the specified type of chain. The wide type of chain cannot be used.
 - If the chain keeps coming off the chainrings during use, replace the chainrings and the chain.
 - You should periodically wash the chainrings in a neutral detergent and then lubricate them again. In addition, cleaning the chain with neutral detergent and lubricating it can be an effective way of extending the useful life of the chainrings and the chain.
 - Parts are not guaranteed against natural wear or deterioration resulting from normal use.
 - For maximum performance we highly recommend Shimano lubricants and maintenance products.
 - For any questions regarding methods of installation, adjustment, maintenance or operation, please contact a professional bicycle dealer.

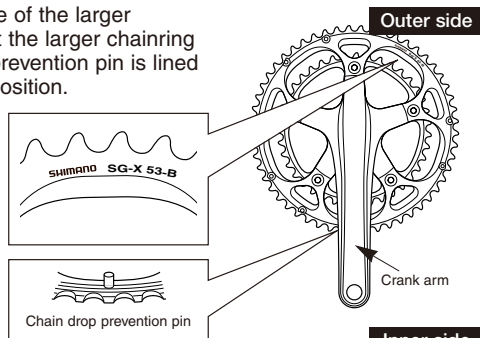
Specifications

Model number	FC-6600	FC-6603
Chainwheel tooth combination	52 - 39T, 53 - 39T	52 - 39 - 30T
Bolt circle diameter	130 mm	130 mm / 74 mm
Crank arm length	165, 170, 172.5, 175mm	
Pedal threads	B.C. 9/16" x 20T.P.I. (English thread)	
Applicable chain	CN-6600	
Chain line	43.5 mm	45 mm
Shell width (Thread dimensions)	68 mm (1.37 X 24 T.P.I.) 70 mm (M36 X 24 T.P.I.)	

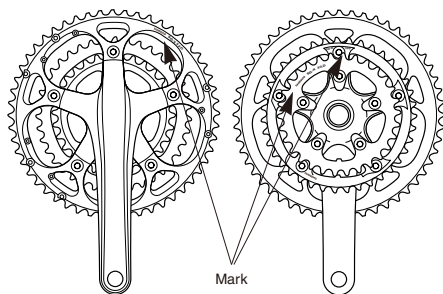
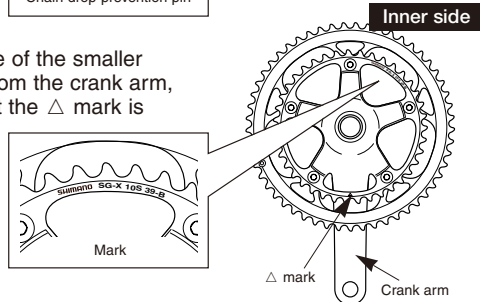
Installation of the chainrings

Smooth shifting will not be possible if the chainrings are incorrectly installed, so be sure to install the chainrings in the correct positions.

With the marked surface of the larger chainring facing out, set the larger chainring so that the chain drop prevention pin is lined up with the crank arm position.



With the marked surface of the smaller chainring facing away from the crank arm, set the chainring so that the Δ mark is lined up with the crank arm position.



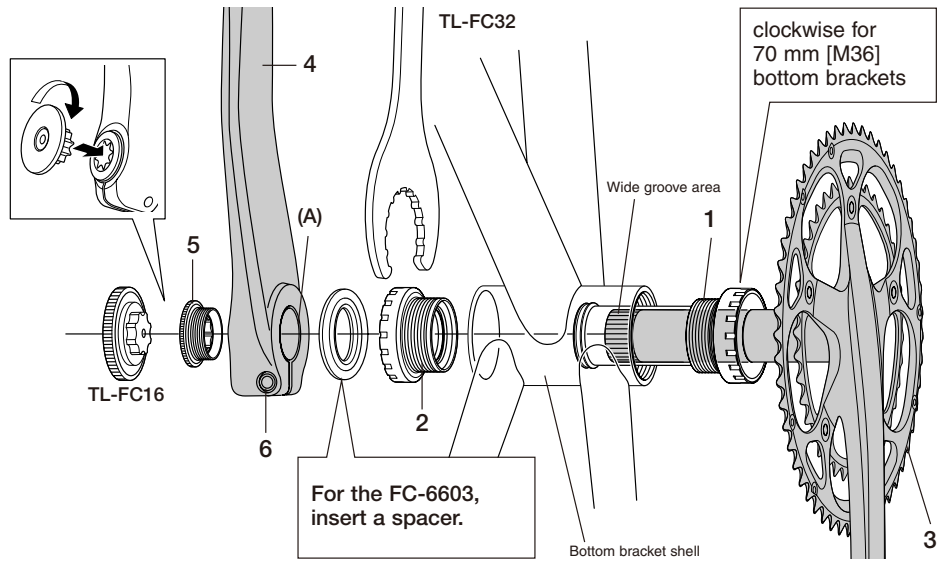
For the FC-6603, the tooth number marking on the largest chainring should face outward, and the markings on the intermediate and smallest chainrings should face inward.

Installation of the front chainwheel

Follow the procedure in the figure.

- 1, 2 Use the special tool TL-FC32 to install the right adapter (counterclockwise thread) and the left adapter (clockwise thread).
Tightening torque: 35 - 50 N·m {305 - 435 in. lbs.}
- 3 Insert the right crank unit.
- 4 Set section A of the left crank into the axle of the right crank unit where the groove is wide.
(Insert a spacer when installing the FC-6603 left crank unit.)
- 5 Use the TL-FC16 to tighten the cap.
Tightening torque: 0.7 - 1.5 N·m {6 - 13 in. lbs.}
- 6 Tighten the bolt of the left crank.

Note : Each of the bolts should be evenly and equally tightened to 12 - 15 N·m {106 - 132 in. lbs.}.



SHIMANO

SHIMANO AMERICAN CORPORATION
One Holland, Irvine, California 92618, U.S.A. Phone: +1-949-951-5003

SHIMANO EUROPE HOLDING B.V.
Industrieweg 24, 8071 CT Nunspeet, The Netherlands Phone: +31-341-272222

SHIMANO INC.
3-77 Oimatsu-cho, Sakai, Osaka 590-8577, Japan

Please note: specifications are subject to change for improvement without notice. (English)
© May, 2004 by Shimano Inc. XBC SZK Printed in Japan

