



⚠ WARNING

- If the switch is operated while riding the bicycle, you may lose control of the bicycle, and a serious accident may result. Be sure to dismount from the bicycle before operating the switch.
- Obtain, read and carefully service instructions when installing parts. A loose, worn, or damaged parts may cause injury to the rider. We strongly recommend that only genuine Shimano replacement parts be used.

SERVICE INSTRUCTIONS

SI-76X0A

SW-NX30

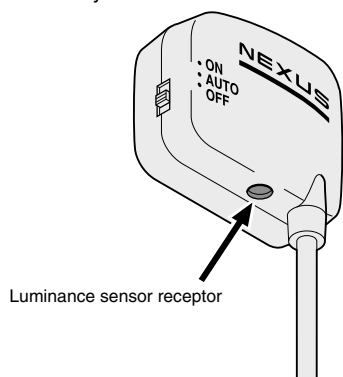
Hub Dynamo Switch

Before use, read these instructions carefully, and follow them for correct use.

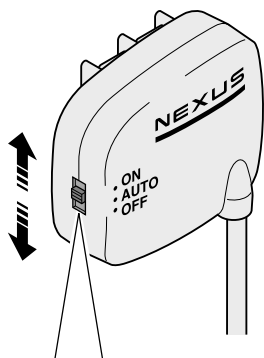
Be sure to read the Service Instructions for the HB-NX30 hub dynamo together with these instructions.

NOTE

Be sure to periodically clean the luminance sensor receptor on the bottom of the switch, because if mud or similar gets onto the sensor receptor, it may cause the sensor to operate incorrectly.



Operation of the switch



ON: The light is always turned on.

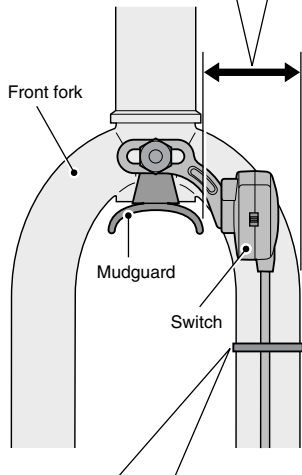
AUTO: The light will switch on automatically when it becomes dark.

OFF: The light is always turned off.

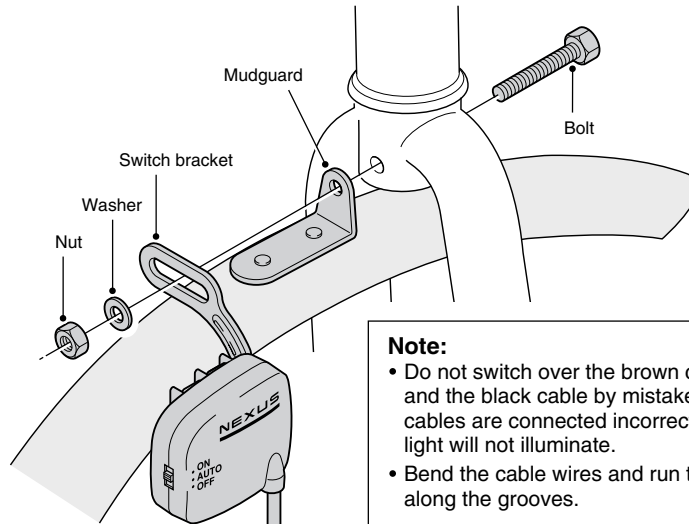
Installation of the switch and connection of the cables

Note:

Install the switch so that it does not protrude outside the line of the front fork, and so that it does not touch the mudguard.

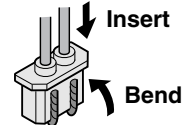


Run the cable along the front fork and secure it in place with tape or a plastic tie.

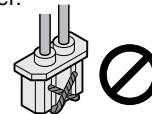


Note:

- Do not switch over the brown cable and the black cable by mistake. If the cables are connected incorrectly, the light will not illuminate.
- Bend the cable wires and run them along the grooves.



- Do not allow the cable wires to touch each other.



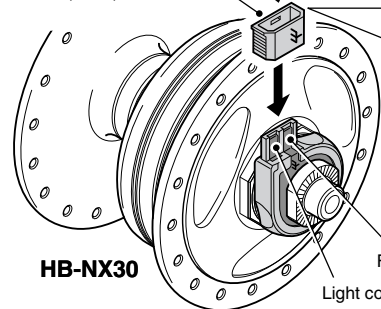
SW-NX30

Brown Black

5 – 10 mm
16 mm

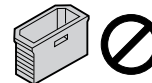
Connector cap (gray)

Connector cover (black)



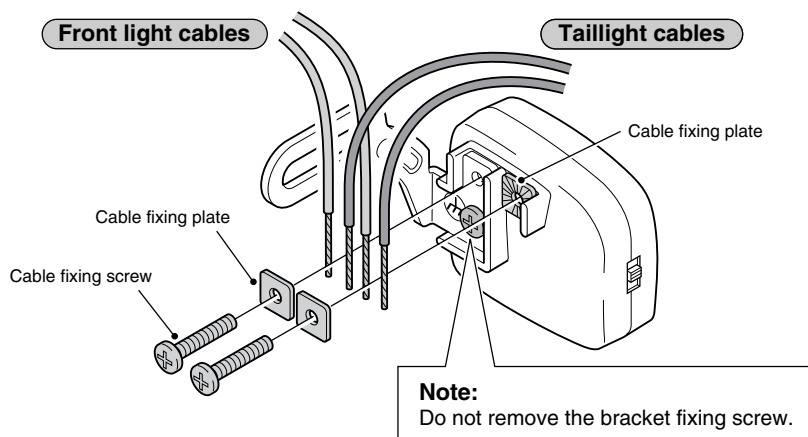
Note:

- Set so that it faces the right way.



- Press in until you hear a click.

Connection of cables to the switch



These service instructions explain how to use and maintain the Shimano bicycle parts which have been used on your new bicycle. For any questions regarding your bicycle or other matters which are not related to Shimano parts, please contact the place of purchase or the bicycle manufacturer.

Please note: Specifications are subject to change for improvement without notice. (English)

SHIMANO®

SHIMANO AMERICAN CORPORATION
One Holland Irvine CA 92618 U.S.A. Phone 949-951-5003

SHIMANO EUROPA
Industrieweg 24 NL-8071 CT Nunspeet, Holland Phone 31-341-272222

SHIMANO INC.
3-77 Oimatsucho, Sakai, Osaka, Japan Phone 0722-23-3243



© Nov. 1999 by Shimano Inc. PIT. SZK. Printed in Singapore

