

## General Safety Information

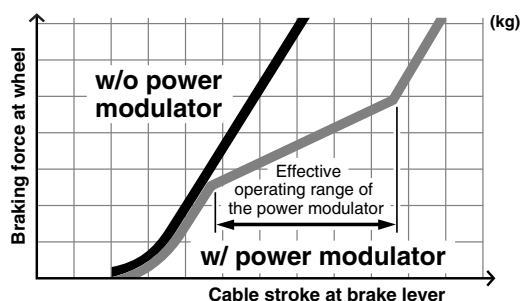
**CAUTION** – To avoid serious injuries:

The power modulator is a device that makes it easier to control braking by increasing the cable stroke at the brake lever within a certain constant range of braking force.

If the effective operating range of the power modulator is exceeded, the brake will operate as a normal brake (sensitive and powerful). In that case, the brakes may operate more powerfully than intended and may cause the wheel to lock up. Therefore it is essential that you fully understand and test the performance of the power modulator before use.

**The power modulator is not equipped with a function to prevent the wheel from locking up.**

### Braking Performance Comparison



SI-PM50A

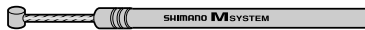
# SM-PM50

Power Modulator

Before use, read these instructions carefully, and follow them for correct use.

## Technical Service Instructions

The SM-PM50 is designed for use with the BR-C501 brake system. In order to realize the best performance, we recommend that the following combination be used.

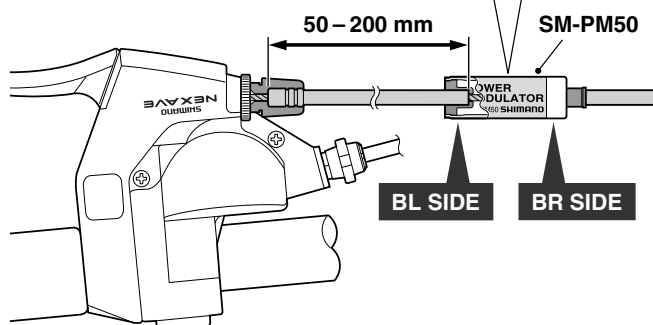
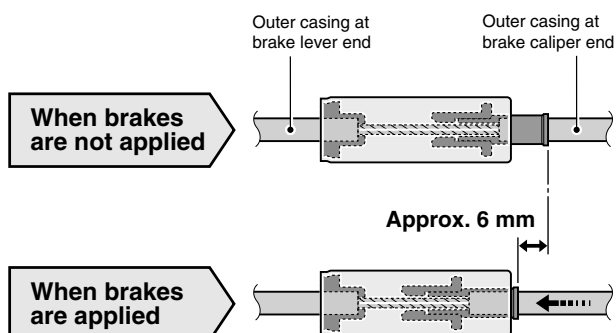
Series	<b>NEXAVE</b>
Brake lever	<b>ST-C503</b>
Brake caliper	<b>BR-C501</b>
Rotor	<b>SM-RT50</b>
Brake cable	

## Installing the SM-PM50

Install the SM-PM50 power modulator to the ST-C503 brake lever as shown in the illustration.

### Note:

- When the brakes are applied, the outer casing at the brake caliper end will move about 6 mm toward the brake lever, so make sure there is enough excess length in the outer casing for this to happen.
- Install the power modulator in a position where it will not interfere with the brakes when they are applied.
- Install the power modulator in a position where it will not interfere with the frame.



Please note: Specifications are subject to change for improvement without notice. (English)

# SHIMANO®

**SHIMANO AMERICAN CORPORATION**

One Holland Irvine CA 92618 U.S.A. Phone 949-951-5003

**SHIMANO EUROPA**

Industrieweg 24 NL-8071 CT Nunspeet, Holland Phone 31-341-272222

**SHIMANO INC.**

3-77 Oimatsucho, Sakai, Osaka, Japan Phone 072-223-3243

© Jun. 2002 by Shimano Inc. PIT. IZM. Printed in Malaysia

