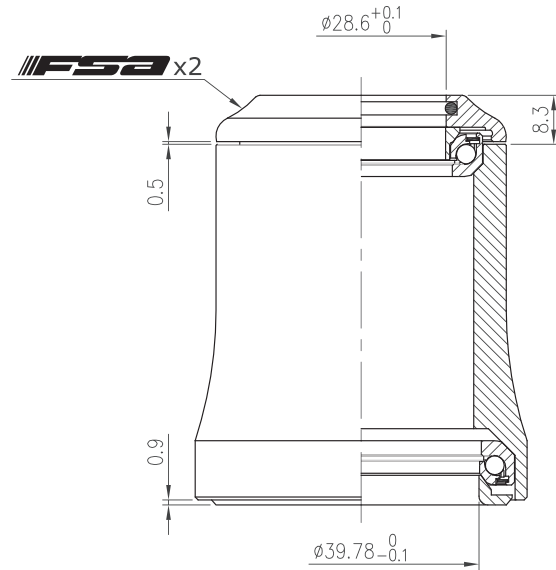
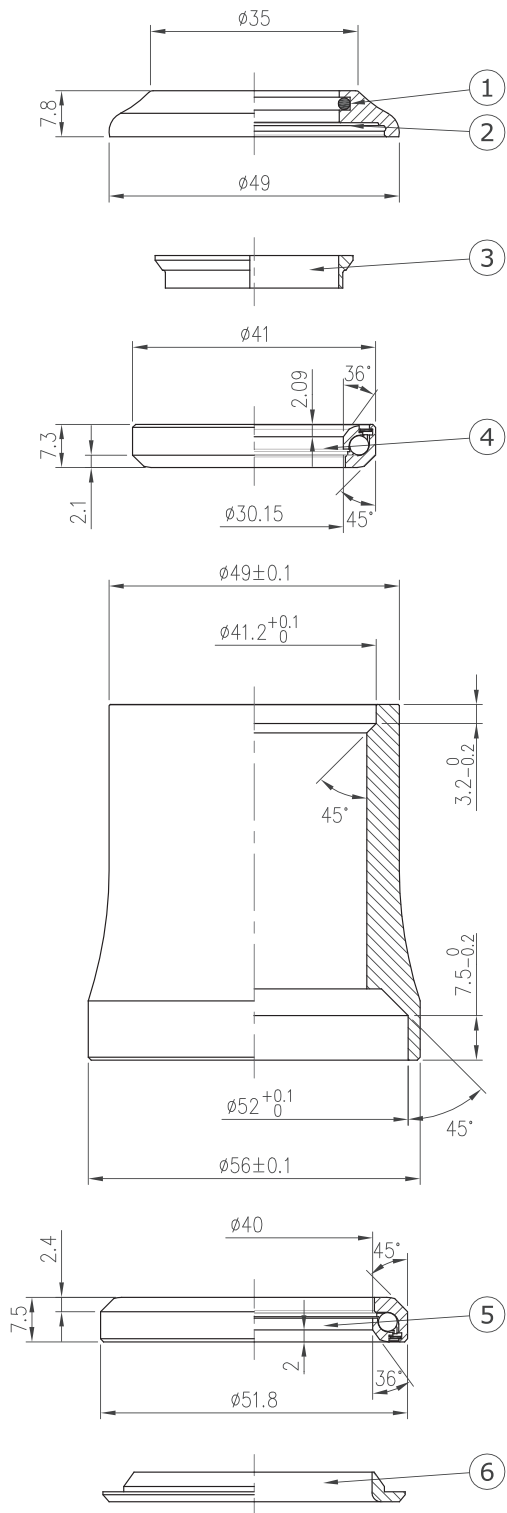


# Integrated Headset (CC)

## IS-2/49E/ACB

1-1/8", 1.5", 36°/ 45° ACB



Stack Height  $8.3+0.9=9.2$



Weight - 72.7 grams

- For 49mm / 56mm OD head tube
- For 1-1/8" to 1.5" tapered fork
- Alloy top cover
- Upper : Angular Contact Bearing (Black seal)
- Lower : 1.5" Angular Contact Bearing (Black seal)

No	Item No	Material	Qty
⑥	H6083{NO.42/ACB-6}	Alloy	1PCS
⑤	MR019{073/DJ-RS}	Chrome steel	1SET
④	MR040{873/DJ-RS}	Chrome steel	1SET
③	H2048{WCS-1-1/8"-2}	Alloy	1PCS
②	H2224A{NO.42/49-2}	Alloy	1PCS
①	MS053{872}	Rubber	1PCS

