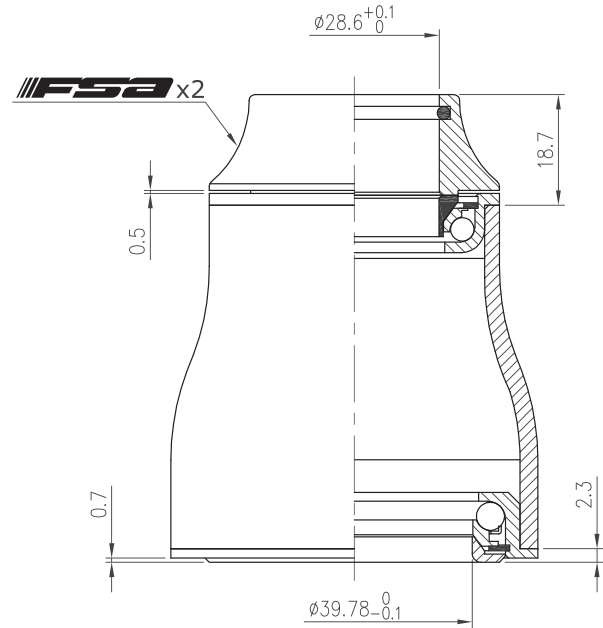
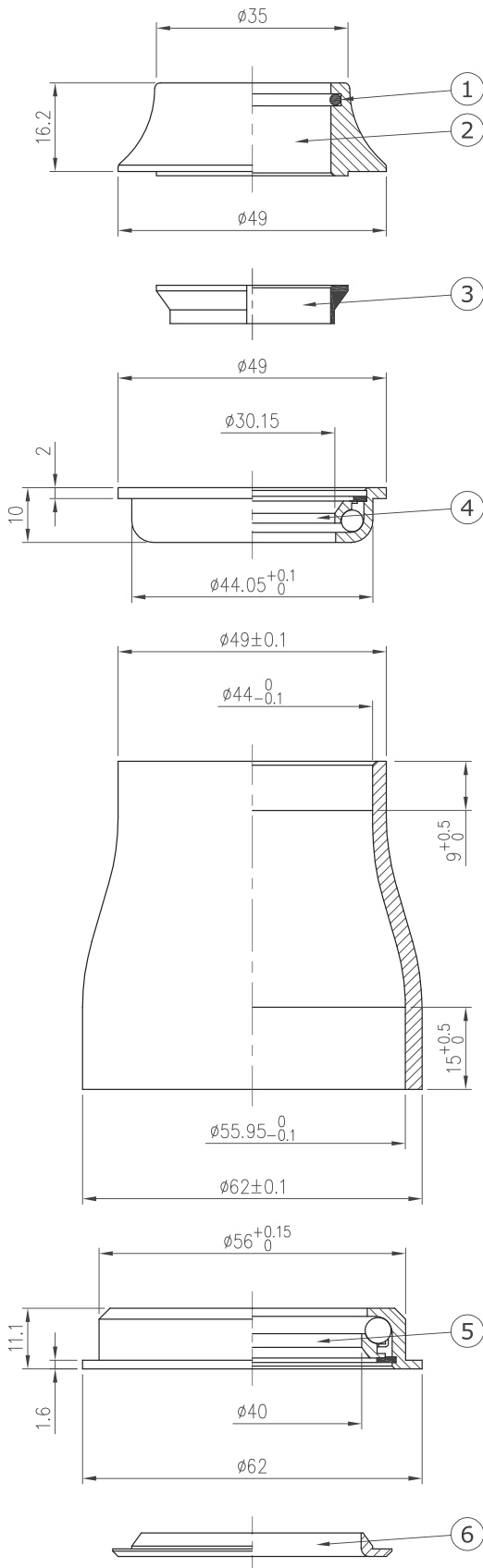


# Internal Headset

## Orbit 1.5 ZS SC

### NO.57SC

1-1/8" / 1.5", Semi-cartridge bearing



Stack Height 18.7+2.3=21



Custom cone spacer		
Item No	T	Stack Height
H2203A	8.2mm	13mm
H2203G	21.2mm	26mm
H2203H	26.2mm	31mm
H2203I	31.2mm	36mm



Weight - 138.1 grams

- For tapered 49mm / 62mm OD head tube
- For 1-1/8" to 1.5" tapered fork
- Alloy top cover
- Chromoly cups with integrated semi-cartridge bearing

No	Item No	Material	Qty
⑥	H6088{NO.57-6}	Alloy	1PCS
⑤	MR225{NO.57SC-N}	Chrome steel	1SET
④	MR083{NO.11Q}	Chrome steel	1SET
③	H2036{NO.5-2}	Nylon	1PCS
②	H2203F{NO.11N-2}	Alloy	1PCS
①	MS053{872}	Rubber	1PCS

