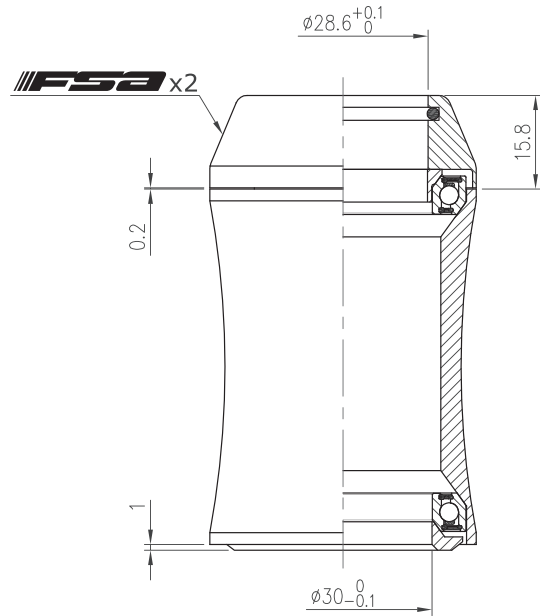
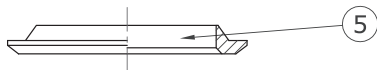
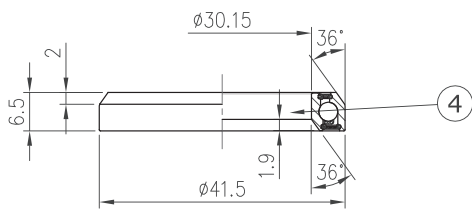
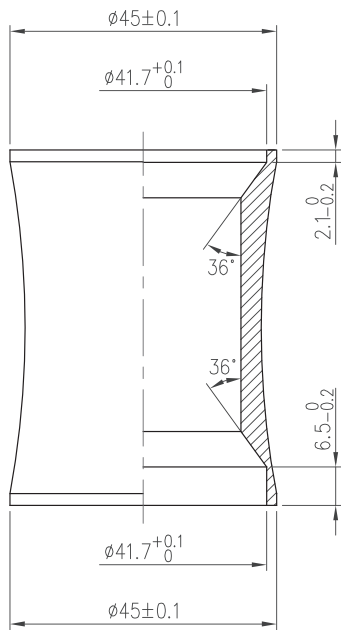
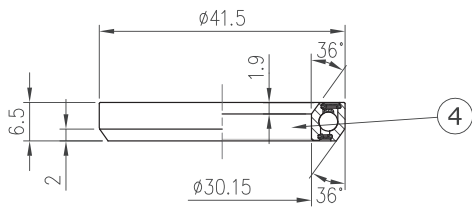
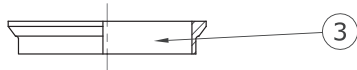
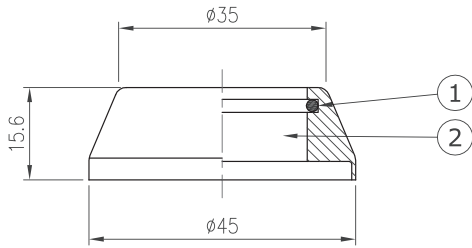


# Integrated Headset

## Orbit 36

1-1/8", 36°/ 36° ACB



Stack Height 15.8+1=16.8



Custom cone spacer		
Item No	T	Stack Height
H2060A	9.4mm	10.6mm
H2060C	20.6mm	21.8mm
H2060D	25.6mm	26.8mm



Weight - 73.5 grams

- For 45mm OD head tube
- 1-1/8" steerer
- Alloy top cover
- Angular Contact Bearing (Black seal)

No	Item No	Material	Qty
⑤	H6082{S2-1-1/8"-6}	Steel	1PCS
④	MR043{872E-2RS}	Chrome steel	2SETS
③	H2048{WCS-1-1/8"-2}	Alloy	1PCS
②	H2060B	Alloy	1PCS
①	MS053{872}	Rubber	1PCS

