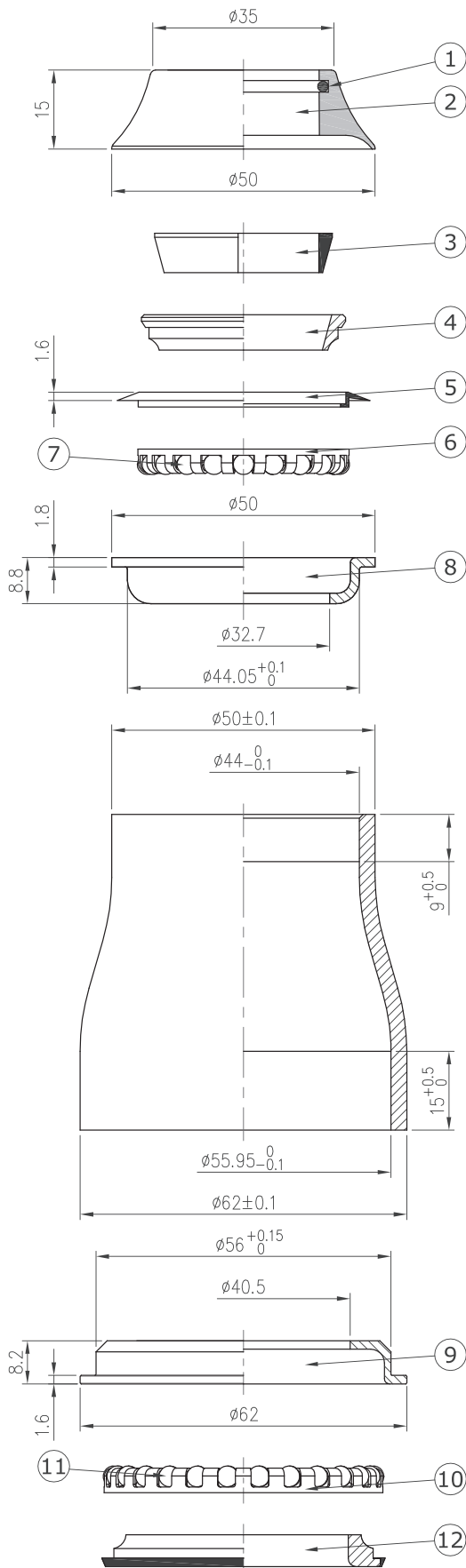


# Internal Headset

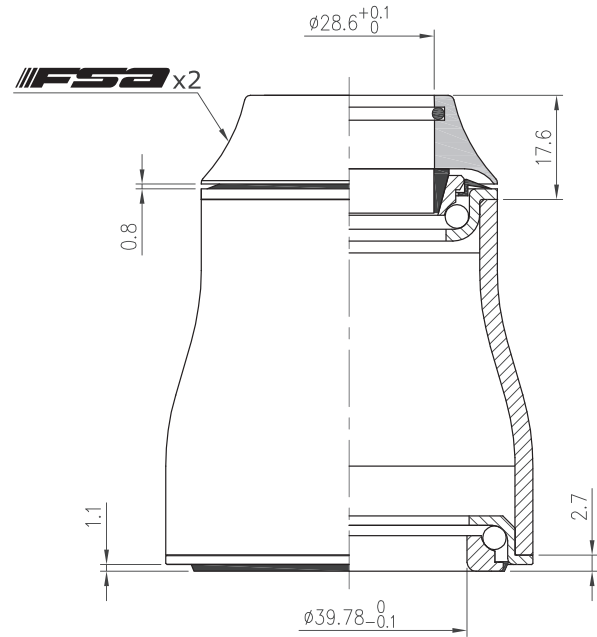
## Orbit 1.5BP ZS

### NO.57BP

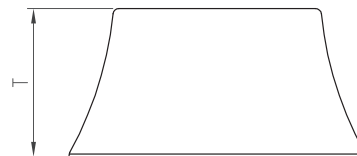
1-1/8" / 1.5", Retainer bearings



- For tapered 50mm / 62mm OD head tube
- For 1-1/8" to 1.5" tapered fork
- Plastic top cover
- Upper :  $\Phi 5/32$ "x20 retainer bearings  
Lower :  $\Phi 5/32$ "x26 retainer bearings



Stack Height  $17.6+2.7=20.3$



Custom cone spacer		
Item No	T	Stack Height
H2246B	25mm	30.3mm



Weight - 120 grams

No	Item No	Material	Qty
12	H6094{NO.57B-6}	Steel w/ rubber sealed	1PCS
11	MR001{ $\Phi 5/32$ "}	Chrome steel	26PCS
10	MR071{ $\Phi 5/32$ "x26}	Steel	1PCS
9	H5069{NO.57B-5}	Steel	1PCS
8	H4060{NO.10-4-5}	Steel	1PCS
7	MR001{ $\Phi 5/32$ "}	Chrome steel	20PCS
6	MR013{ $\Phi 5/32$ "x20}	Steel	1PCS
5	MS093{NO.10}	ABS	1PCS
4	H3071{888-3}	Steel	1PCS
3	H2040{888-2}	Nylon	1PCS
2	H2246A{NO.10/11P-2}	Nylon	1PCS
1	MS053{872}	Rubber	1PCS

