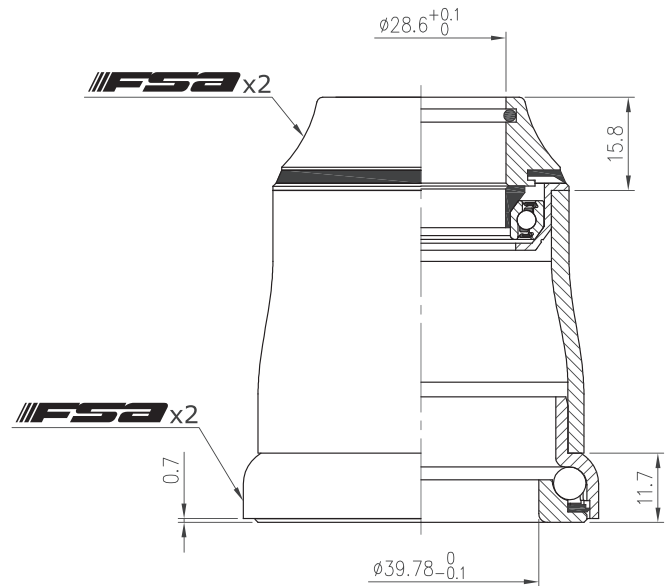
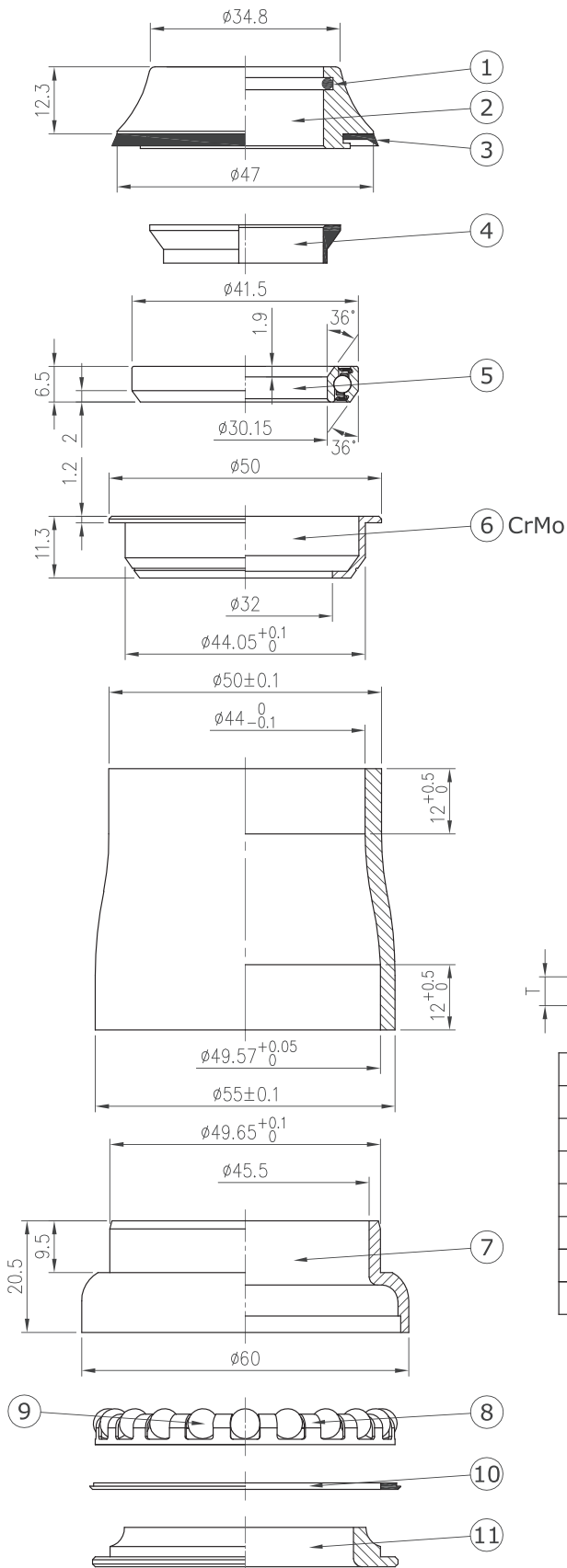


Internal Headset

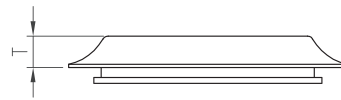
FSA SX (I/E)

NO.9M/CUP/TH/NO.7B

1-1/8" / 1.5", 36° / 36° ACB-Upper
Retainer bearings-Lower



Stack Height 15.8+11.7=27.5



Custom cone spacer		
Item No	T	Stack Height
H2051C	3.3mm	18.5mm
H2051A	5.3mm	20.5mm
H2051J	8.2mm	23.4mm
H2051G	17.3mm	32.5mm
H2051E	22.3mm	37.5mm
H2051H	27.3mm	42.5mm



Weight - 237 grams

- For tapered 50mm / 55mm OD head tube
- For 1-1/8" to 1.5" tapered fork
- Forged CrMo upper cup and CNC machined lower cup
- Upper : Angular Contact Bearing (Black seal)
- Lower : Super oversized Ø7/32"x20 retainer bearings

No	Item No	Material	Qty
11	H6050{NO.7B-6}	Steel	1PCS
10	MS096{NO.60-4-6}	Rubber	1PCS
9	MR005{Φ7/32"}	Chrome steel	20PCS
8	MR068{Φ7/32"x20}	Steel	1PCS
7	H4114{NO.60ST-4-5}	Steel	1PCS
6	H4097	CrMo	1PCS
5	MR043{872E-RS}	Chrome steel	1SET
4	H2036{NO.5-2}	Nylon	1PCS
3	MS073	Rubber	1PCS
2	H2051B	Alloy	1PCS
1	MS053{872}	Rubber	1PCS

