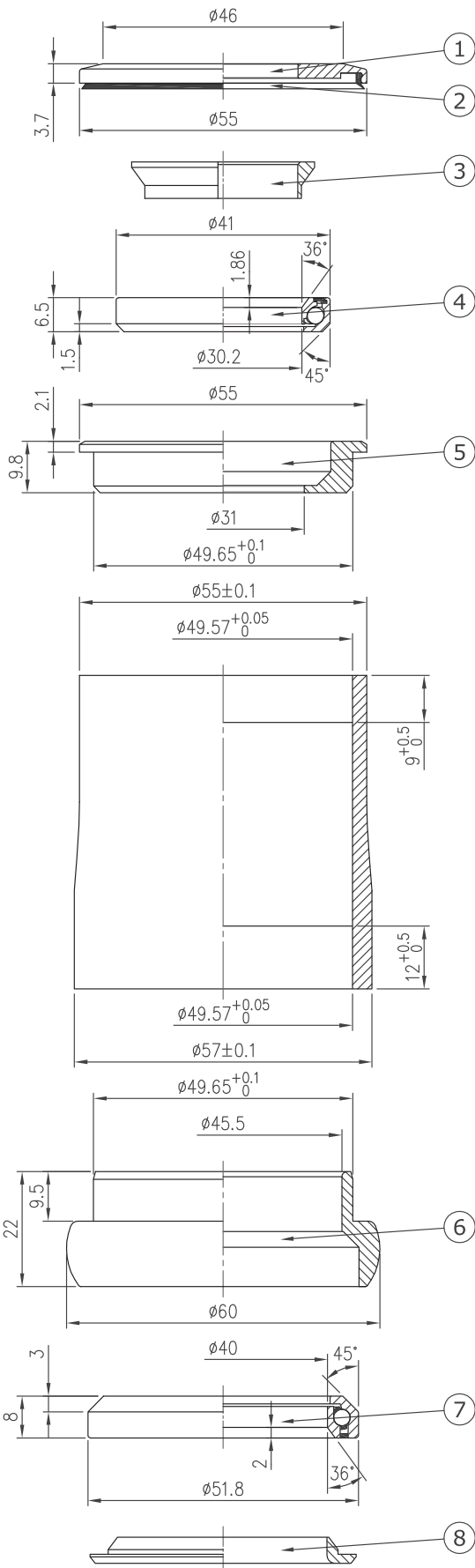


Internal Headset (CC)

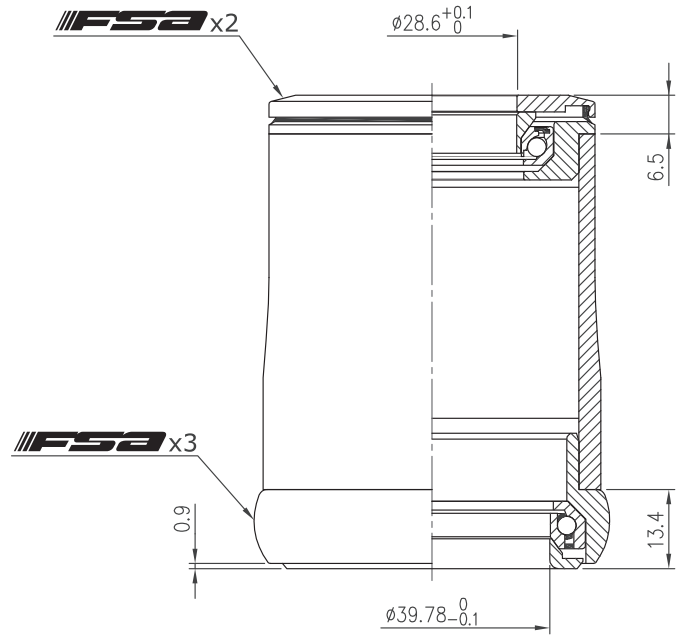
FSA 1/DX Pro(I/E)

NO.9M/CUP/CC 1.5R/NO.12B

1-1/8" / 1.5", 36° / 45° ACB



- For tapered 55mm / 57mm OD head tube
- For 1-1/8" to 1.5" tapered fork
- Upper : Alloy or steel cup with ACB (Black seal)
- Lower : Alloy cup with 1.5" ACB (Black seal)



Stack Height 6.5+13.4=19.9



Weight - 145.1 grams

| No | Item No | Material | Qty |
|----|-----------------------------|---------------------------|------|
| ⑧ | H6083{NO.42/ACB-6} | Alloy | 1PCS |
| ⑦ | MR127{073E-RS} | Chrome steel | 1SET |
| ⑥ | H5059{FSA DX Pro-5} | Alloy | 1PCS |
| ⑤ | H4104{Orbit Z 1.5}-T | Steel | 1PCS |
| | H4104{Orbit Z 1.5} | Alloy | |
| ④ | MR122{873E-RS} | Chrome steel | 1SET |
| ③ | H2036{NO.5-2} | Alloy | 1PCS |
| ② | MS194{NO.9M/CUP/CC/1.5R} | Steel w/ rubber sealed | 1PCS |
| ① | H2232A{NO.9M/CUP/CC/1.5R-2} | Alloy | 1PCS |

