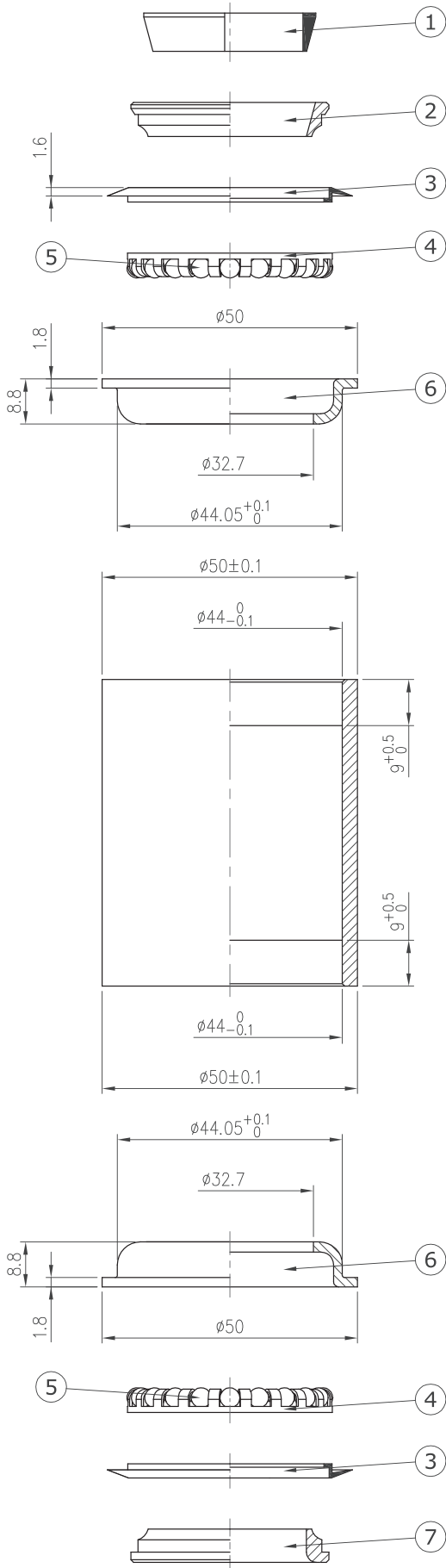


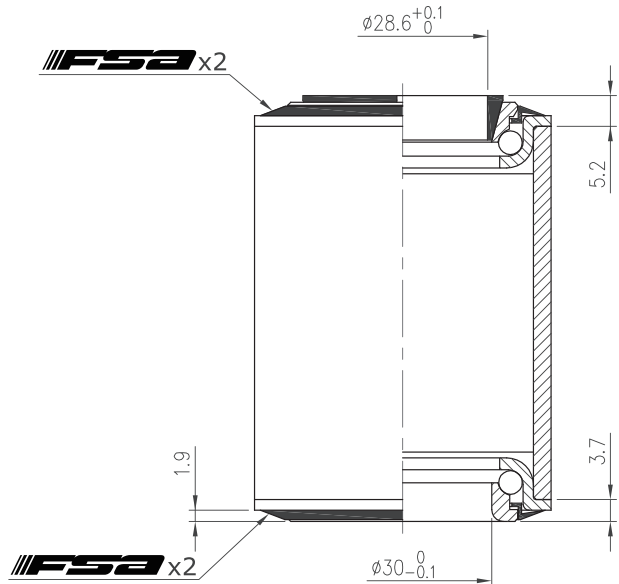
Internal Headset

NO.10

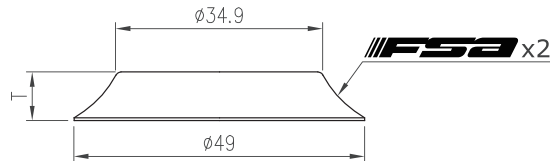
1-1/8", Retainer bearings



- For 50mm OD head tube
- 1-1/8" steerer
- Alloy custom top cover
- $\Phi 5/32$ "x20 retainer bearings



Stack Height $5.2+3.7=8.9$



Custom cone spacer		
Item No	T	Stack Height
H2079F	8.2mm	14.2mm
H2079H	12mm	18mm
H2079B	16.2mm	22.2mm
H2079C	21.2mm	27.2mm
H2079D	26.2mm	32.2mm
H2079G	45mm	51mm



Weight - 93 grams

No	Item No	Material	Qty
⑦	H6010{850-6}	Steel	1PCS
⑥	H4060{NO.10-4-5}	Steel	2PCS
⑤	MR001{ $\Phi 5/32$ "}	Chrome steel	40PCS
④	MR013{ $\Phi 5/32$ "x20}	Steel	2PCS
③	MS093{NO.10}	ABS	2PCS
②	H3071{888-3}	Steel	1PCS
①	H2040{888-2}	Nylon	1PCS

