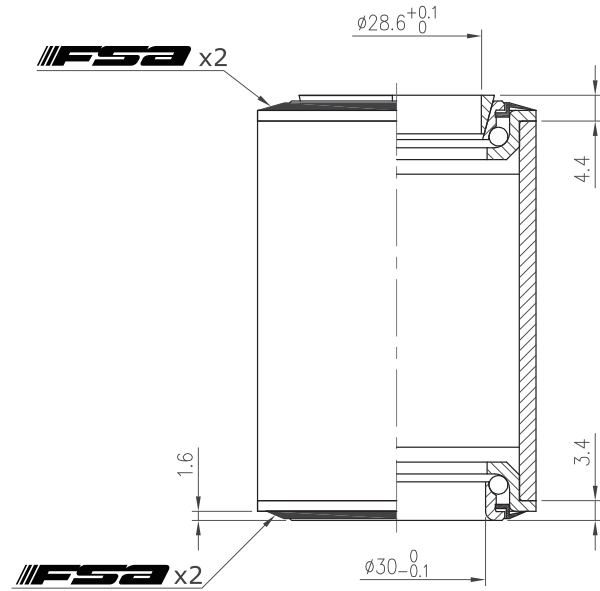
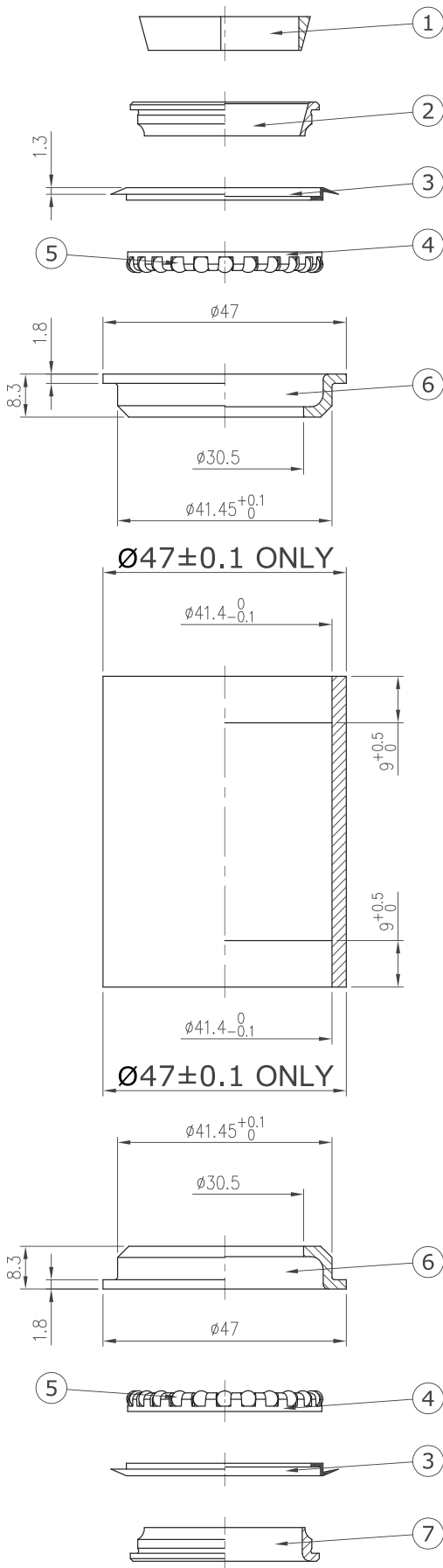


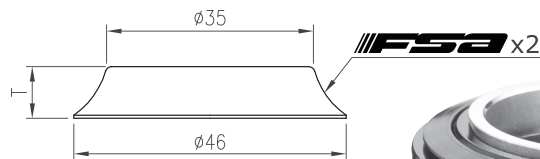
# Internal Headset

## NO.10AY

1-1/8", Retainer bearings



Stack Height 4.4+3.4=7.8



Custom cone spacer		
Item No	T	Stack Height
H2084A	8.7mm	14.8mm
H2084B	15mm	21.1mm



Weight - 72 grams

- For reducer for 1" 47mm OD head tube
- 1-1/8" steerer
- Alloy custom top cover
- $\Phi$ 1/8"x24 retainer bearings

No	Item No	Material	Qty
⑦	H6037{NO.10AY-6}	Steel	1PCS
⑥	H4061{NO.10A-4-5}	Steel	2PCS
⑤	MR048{ $\Phi$ 1/8"}	Chrome steel	48PCS
④	MR064{ $\Phi$ 1/8"x24}	Steel	2PCS
③	MS094{NO.10A}	ABS	2PCS
②	H3037{NO.10AY-3}	Steel	1PCS
①	H2074{NO.10AY-2}	Alloy	1PCS

