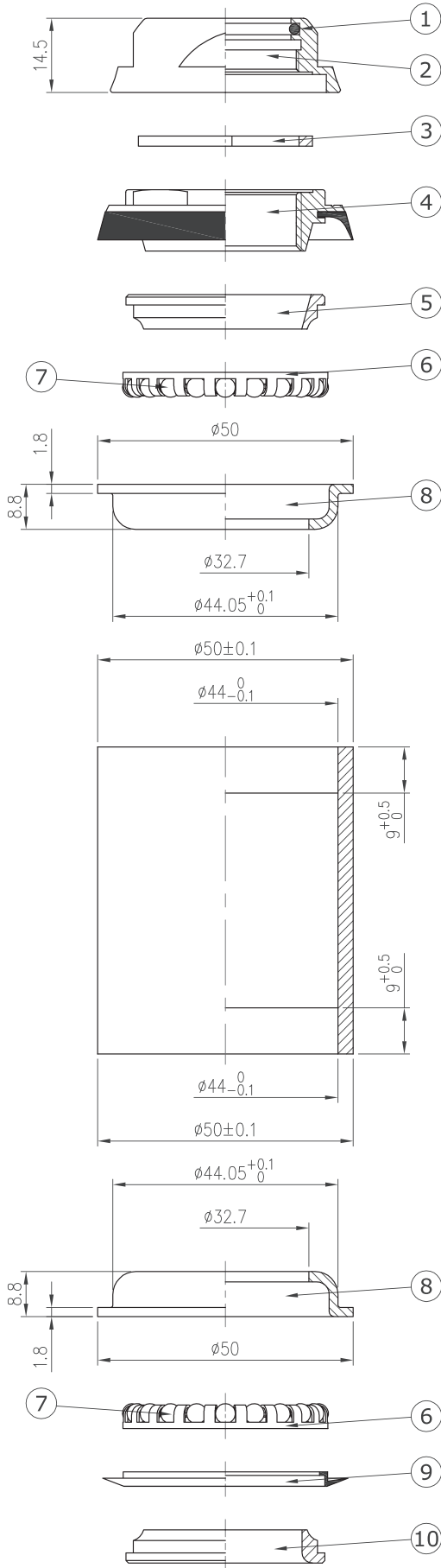


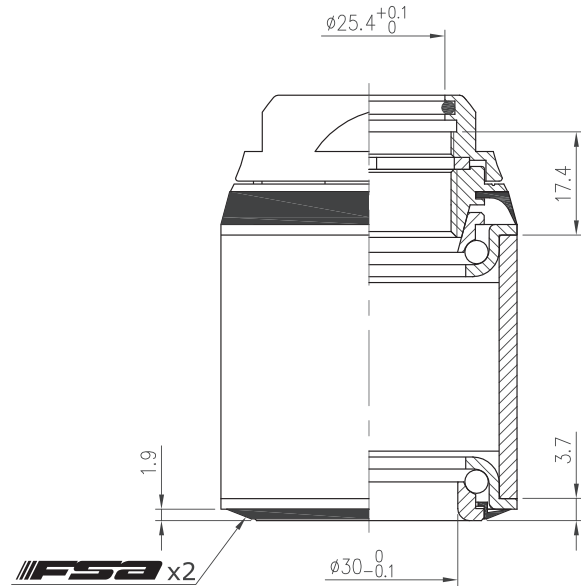
Threaded Headset

TH-806ST

1-1/8"x26T, Retainer bearings



- For 50mm OD head tube
- 1-1/8" steerer
- Alloy lock nut
- $\Phi 5/32$ "x20 retainer bearings



Stack Height 17.4+3.7=21.1



Weight - 127 grams

No	Item No	Material	Qty
10	H6010{850-6}	Steel	1PCS
9	MS093{NO.10}	ABS	1PCS
8	H4060{NO.10-4-5}	Steel	2PCS
7	MR001{ $\Phi 5/32$ "}	Chrome steel	40PCS
6	MR013{ $\Phi 5/32$ "x20}	Steel	2PCS
5	H3071{888-3}	Steel	1PCS
4	H3085{806ST-3}	Alloy+Rubber	1SET
3	H2012{850-2}	Steel	1PCS
2	H1052{806AL-1}	Alloy	1PCS
1	MS034{800-1}	Rubber	1PCS

